



# SONDEX

## SL23 Brazed Plate Heat Exchanger

### Recommended Applications:

The compact **brazed** plate heat exchanger is designed with the focus on the refrigeration area, air conditioning, the HVAC area, solar heating, oil units, heat recovery and other industrial tasks.

### Design Principles:

The **Sondex** type **SL23** brazed heat exchanger contains a plate pack and will cover many duties up to 6 m<sup>3</sup>/h in a single pass solution where all 4 connections can be on **one** side. This means easy pipe and service work.

The brazed plate heat exchanger, assembled with two end plates and connections, is vacuum brazed at extremely high temperatures providing a permanently sealed heat exchanger. The final result is a strong and compact plate heat exchanger with extremely high heat transmissions. The high heat transmission comes from the main pattern which is designed to create a turbulent flow.

### Data required for correct quotation:

Duty, type of product, temperatures, pressure drop and the thermal dynamic properties influence the size of heat surface.

### Technical Information:

#### Standard Materials:

Flow plates and connections in stainless steel.  
End plates in stainless steel.  
Brazing material is pure copper.

#### Working Pressure/Temperature:

The unit is constructed for max.  
Working pressure/temperature 25 Bar/-20/185°C.

#### Construction Standard:

According to pressure equipment PED 97/23/EC.

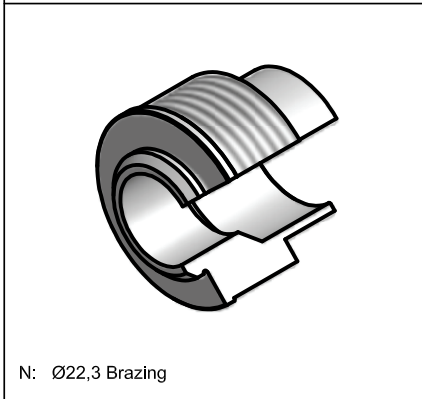
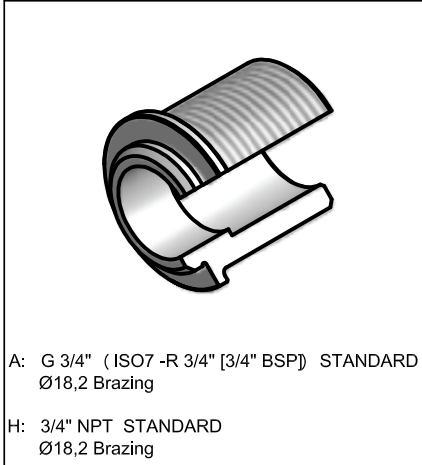
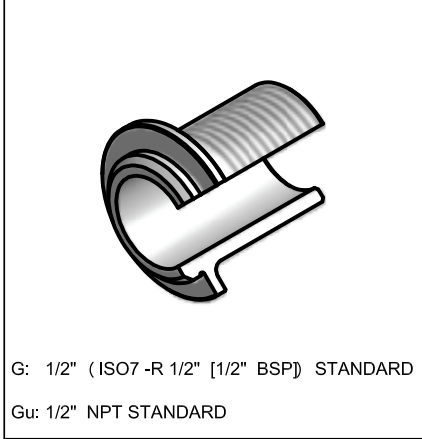
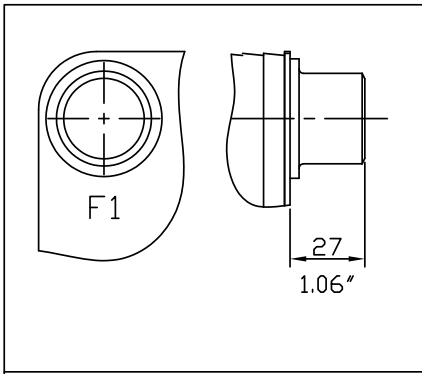
#### Connections:

½" thread ISO7 BSP/NPT  
¾" thread ISO7 BSP/NPT.  
22.3 mm pipe for brazing.

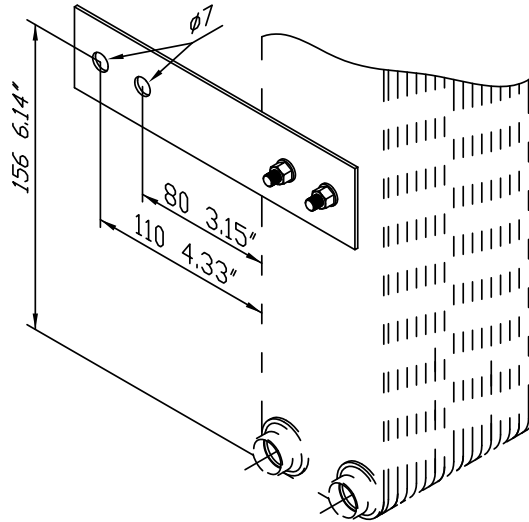
#### Additional Equipment:

Insulation.  
Wall mounting.  
Connection unions for welding on pipes  
In AISI 316 or St. 52-3.



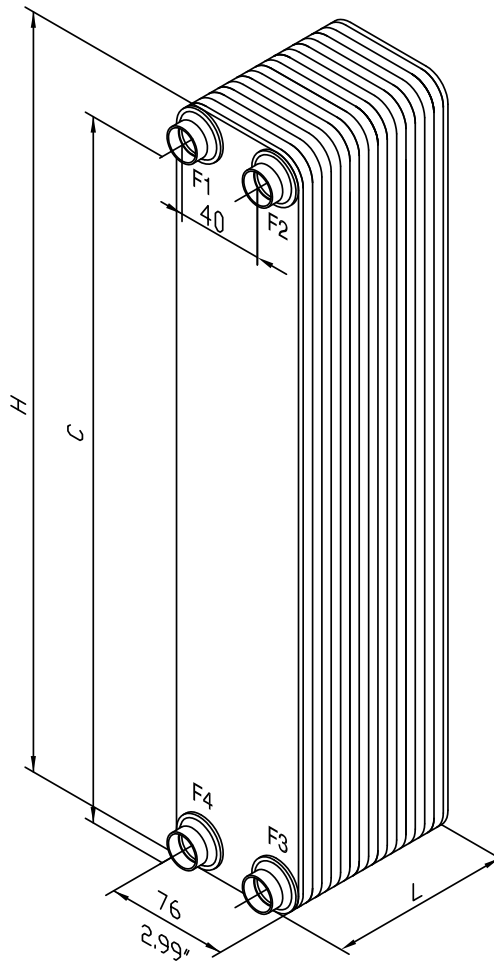


MOUNTING



$L = (N \times 2,3) + 7 \text{ mm}$

FRAME



SUBJECT TO CHANGE IN CONSTRUCTION CONDITIONS

FRAME SIZE	DIMENSION H	DIMENSION C
SL23	315/12.40"	278/10.94"



Sondex Portugal  
Tel +351 218 438 750  
Fax +351 218 438 759  
Email info@armacan.com

SONDEX A/S · JERNET 9 · DK-6000 KOLDING · DENMARK

**SONDEX**

Phone +45 76 30 61 00 • Telefax +45 75 53 89 68 / +45 75 50 50 19 • E-mail: info@sondex.dk