

DEP 001

DEP 001 (Drift Eliminator Profile)

O separador de gotas DEP 001 é um perfil obtido por extrusão do material plástico (PP).

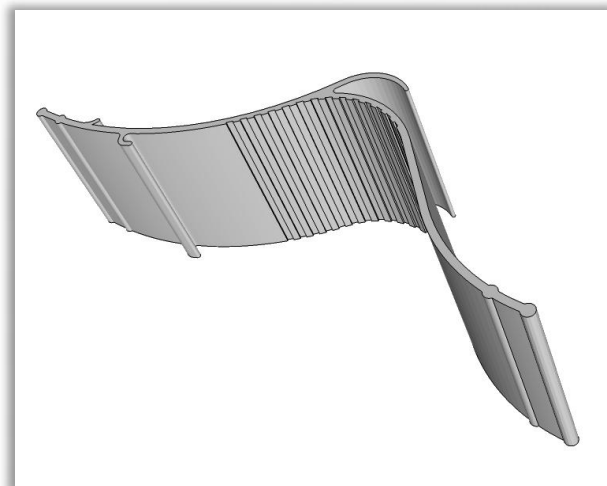
Seu design permite separar as gotas de água contida no fluxo de ar, que impattandosi com o perfil são engrossadas e transmitida por gravidade para baixo.

Aplicações:

- ❖ unidades de Tratamento de Ar
- ❖ sistemas industriais para tratamento de ar
- ❖ scrubbers
- ❖ seções de entrada de ar em instalações de cogeração (turbinas a gás)

Principais Vantagens:

- ❖ baixa perda de carga
- ❖ resistência mecânica
- ❖ simplicidade de posicionamento graças à modularidade
- ❖ fácil manutenção em todas as aplicações
- ❖ resistência à Corrosão
- ❖ conformidade com os requisitos de higiene



Detalhes técnicos do material

	PP Blanco	PP Cinza	PP preto	PVC preto
Temperatura máxima de operação	90 °C	90 °C	90 °C	65°C
Temperatura máxima de armazenamento	-10 ÷ 50 °C	-10 ÷ 50 °C	-10 ÷ 50 °C	-10 ÷ 50 °C
Color	RAL 9010	RAL 7035	RAL 9005	RAL 9011

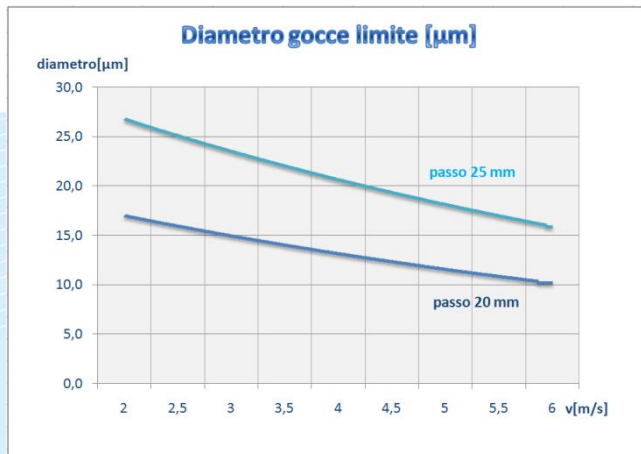
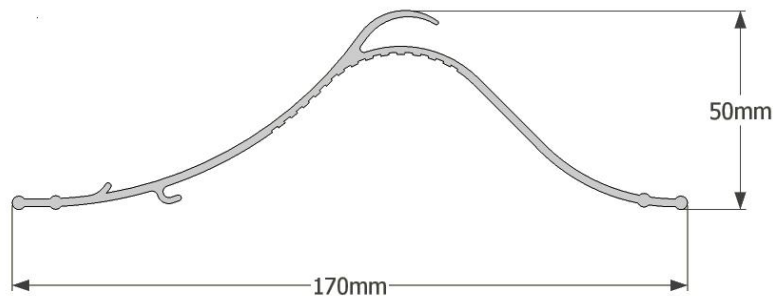
Princípios de Operação :

O modelo DEP 001 encontra sua utilização com velocidades entre 2 e 6 m / s e com um tamanho de gotas entre 15 e 30 μm , montado com um espaçamento de 25 mm.

A "altura máxima de 2,5 m é recomendada, para seções de maior altura sugere-se a utilização de um dreno de banheira no meio.

Formatos

O perfil de DEP 001 tem um o comprimento padrão de 6.000 mm, em quantidades em excesso de 1.000 m é possível ter o tamanho desejado



Definição

O diâmetro do limite das gotículas é, por definição, o equivalente mínimo diâmetro da gota de água menor que pode ser separado do fluxo de ar para uma determinada velocidade

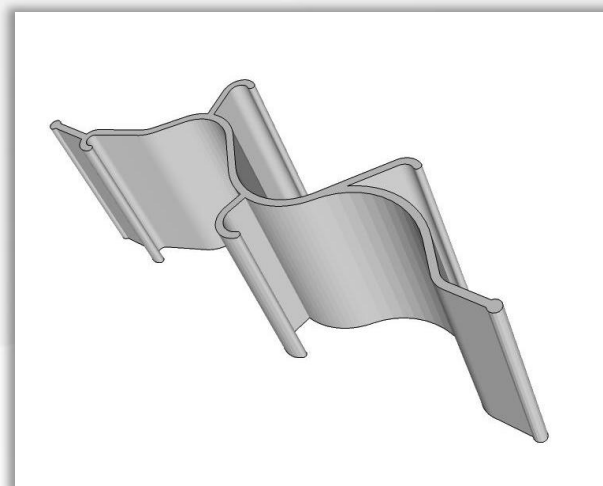




DEP 002

DEP 002 (Drift Eliminator Profile)

The drift eliminator DEP002 is a plastic (PP) extruded profile. Its specific design allows to separate the water drops carried by the air flux, which, by hitting against the profile, are concentrated and, due to the gravity force, brought downward.



Applications:

- ❖ Air Handling Units
- ❖ Industrial air treatment systems
- ❖ Scrubbers
- ❖ Gas Turbines Inlet Sections

Principal Advantages :

- ❖ Low Air Pressure Drop
- ❖ High Efficiency
- ❖ Easy handling and positioning thanks to its modularity
- ❖ Effective maintenance in all applications
- ❖ Corrosion Resistance
- ❖ Respect of Hygienic Laws and Requirements

Material Data Sheet:

	White PP	Grey PP
Max. Working Temperature	120 °C	120 °C
Storage Temperature	-10 ÷ 50 °C	-10 ÷ 50 °C
Color	RAL 9010	RAL 7035



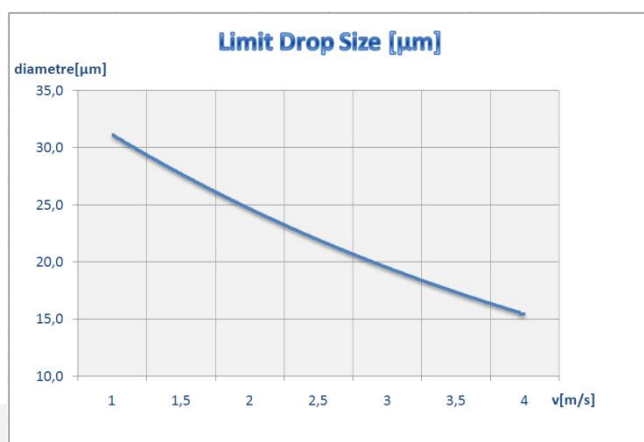
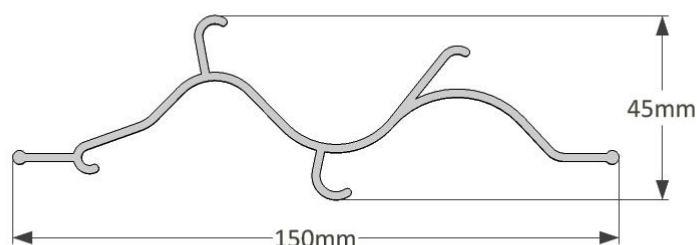
Working Principle

DEP 002 is used, with a 25 mm pitch assembling, for a air velocity range between 1 and 4 m/s and a drop size between 15 and 30 μm .

The recommended maximum height is 2,5 m; for higher sections we suggest to foresee an intermediate drainage basin.

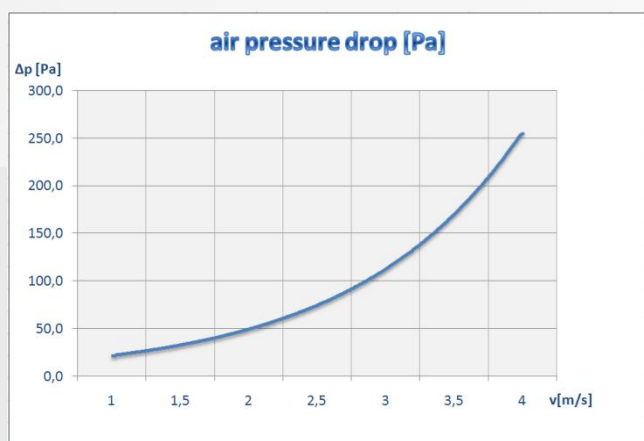
•Available Sizes

- The DEP 002 profile has a standard length of 6000 mm; for quantities over 1000 m it's possible to have it in customized lenght. richiesta



Definition

the limit drop size is defined as the minimum equivalent drop diameter which can be separated from the air flux for a typical velocity.



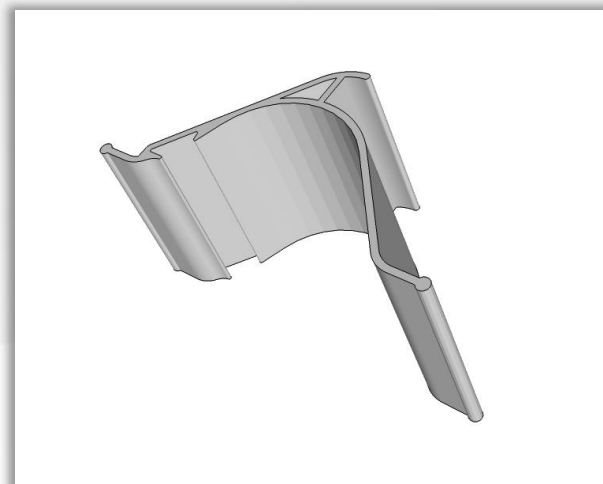
Drift Eliminator Profile



DEP 003

DEP 003 (Drift Eliminator Profile)

The drift eliminator DEP003 is a plastic (PP) extruded profile. Its specific design allows to separate the water drops carried by the air flux, which, by hitting against the profile, are concentrated and, due to the gravity force, brought downward.



Applications:

- ❖ Air Handling Units
- ❖ Industrial air treatment systems
- ❖ Scrubbers
- ❖ Gas Turbines Inlet Sections

Principal Advantages :

- ❖ Low Air Pressure Drop
- ❖ High Efficiency
- ❖ Easy handling and positioning thanks to its modularity
- ❖ Effective maintenance in all applications
- ❖ Corrosion Resistance
- ❖ Respect of Hygienic Laws and Requirements

Drift Eliminator Profile

Material Data Sheet:

	White PP	Grey PP
Max. Working Temperature	120 °C	120 °C
Storage Temperature	-10 ÷ 50 °C	-10 ÷ 50 °C
Color	RAL 9010	RAL 7035



Principi di funzionamento

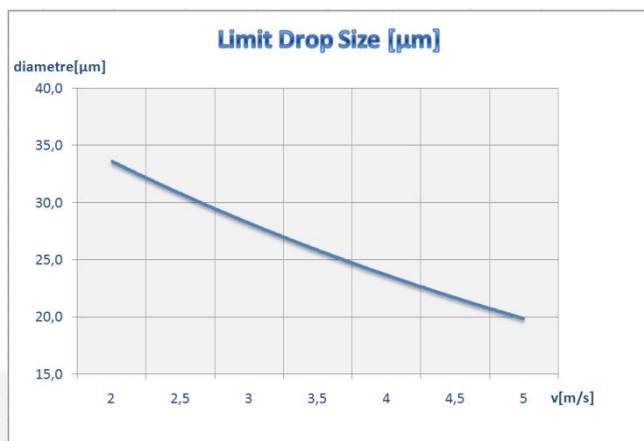
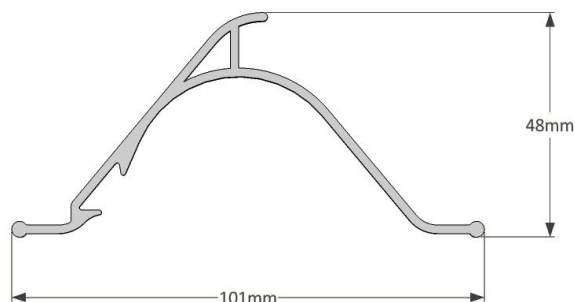
Il modello DEP 003 trova il suo impiego con velocità comprese tra i 2 e i 5 m/s con una grandezza di gocce compresa tra i 35 e 15 μm montato a passo 33 mm.

L' altezza massima d'impiego consigliata è di 2,5 m, per sezioni di altezza maggiore si suggerisce di utilizzare una vasca di drenaggio intermedia

Available Sizes

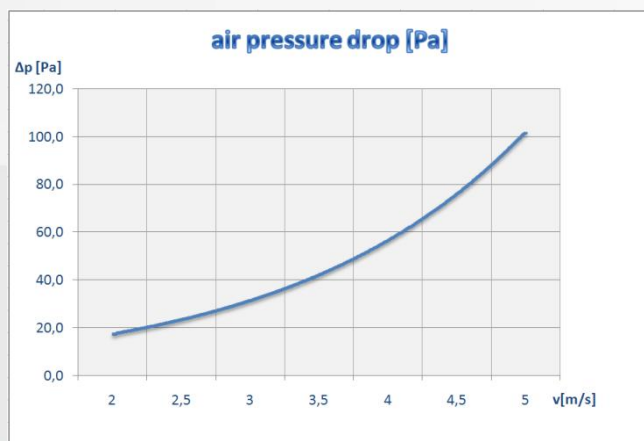
The DEP 003 profile has a standard length of 6000 mm; for quantities over 1000 m it's possible to have it in customized length.

Drift Eliminator Profile



Definition

the limit drop size is defined as the minimum equivalent drop diameter which can be separated from the air flux for a typical velocity.

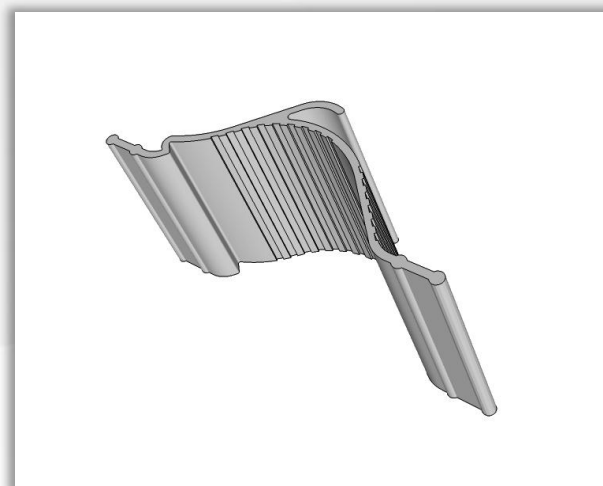




DEP 004

DEP 004 (Drift Eliminator Profile)

The drift eliminator DEP004 is a plastic (PP) extruded profile. Its specific design allows to separate the water drops carried by the air flux, which, by hitting against the profile, are concentrated and, due to the gravity force, brought downward.



Applications:

- ❖ Air Handling Units
- ❖ Industrial air treatment systems
- ❖ Scrubbers
- ❖ Gas Turbines Inlet Sections

Principal Advantages :

- ❖ Low Air Pressure Drop
- ❖ High Efficiency
- ❖ Easy handling and positioning thanks to its modularity
- ❖ Effective maintenance in all applications
- ❖ Corrosion Resistance
- ❖ Respect of Hygienic Laws and Requirements

Material Data Sheet:

	White PP	Grey PP
Max. Working Temperature	120 °C	120 °C
Storage Temperature	-10 ÷ 50 °C	-10 ÷ 50 °C
Color	RAL 9010	RAL 7035



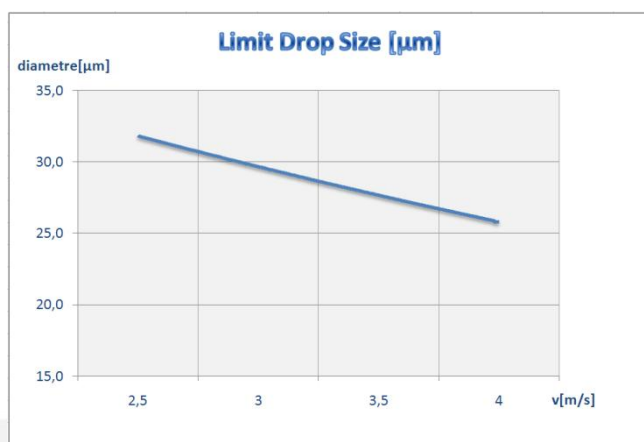
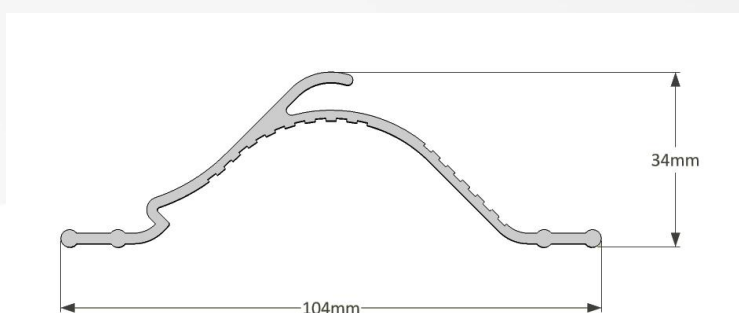
Working Principle

DEP 004 is used, with a 25 mm pitch assembling, for a air velocity range between 2,5 and 4 m/s and a drop size between 25 and 32 μm .

The recommended maximum height is 2,5 m; for higher sections we suggest to foresee an intermediate drainage basin.

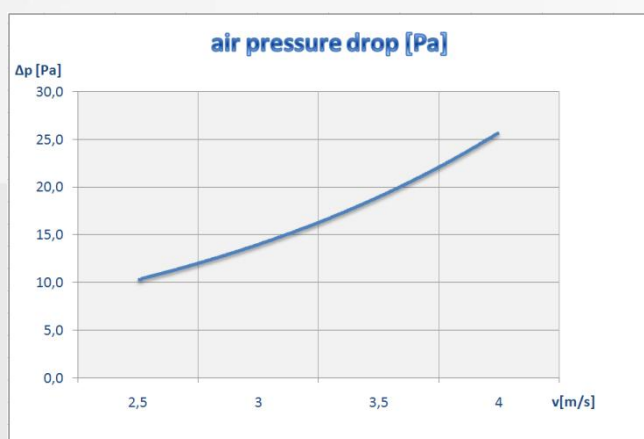
Available Sizes

The DEP 004 profile has a standard length of 6000 mm; for quantities over 1000 m it's possible to have it in customized lenght.



Definition

the limit drop size is defined as the minimum equivalent drop diameter which can be separated from the air flux for a typical velocity.

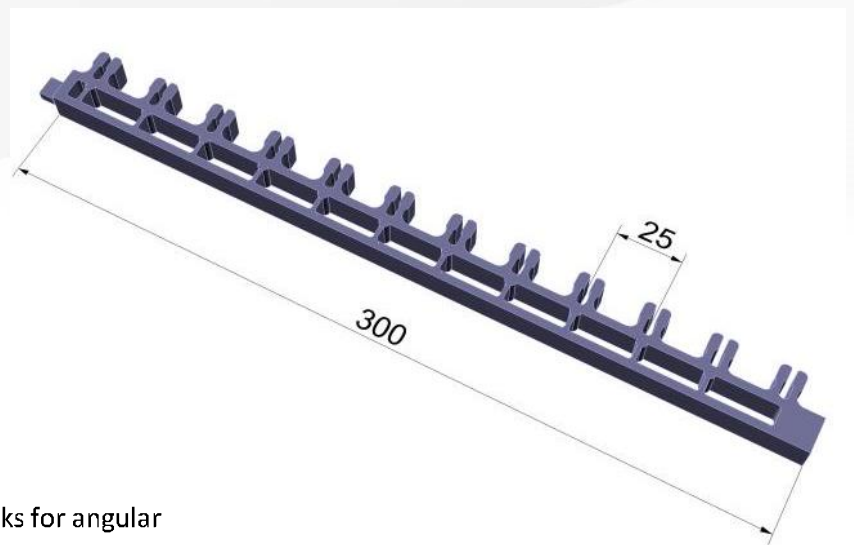




Spacer

Comb - Spacer

The spacer is made by injection moulding in virgin PP.
Colours: black or neutral on request.



Nominal size:

- ❖ Length: 300 mm
- ❖ Step: 25 or 33 mm
- ❖ It can be provided with or without hooks for angular

How to choose spacer:

- ❖ DEP001: step 25 mm
- ❖ DEP002: step 25 mm
- ❖ DEP003: step 33 mm
- ❖ DEP004 :step 25 mm
- ❖ It must be fitted every 500-700 mm of height.

Advantage of use:

- ❖ Avoid bending the separator and then air by-pass
- ❖ Very easy to assemble the separator in battery through modularity
- ❖ Inexpensiveness compared to sheet metal solution (AISI)
- ❖ High resistance to mechanical stress
- ❖ High resistance to thermal stress
- ❖ High useful life of the product

PP

Maximum operating
temperature

90 °C